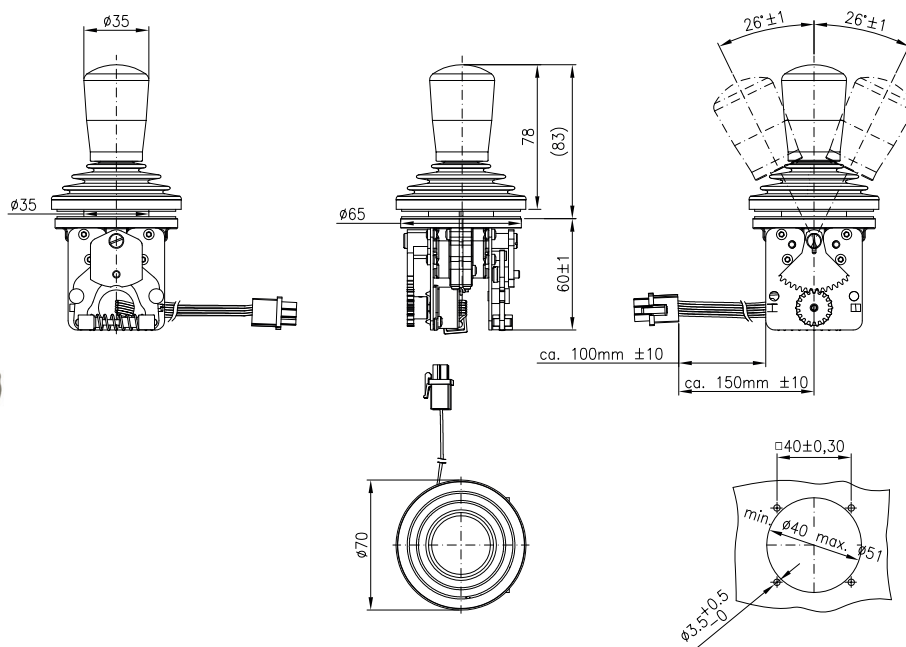
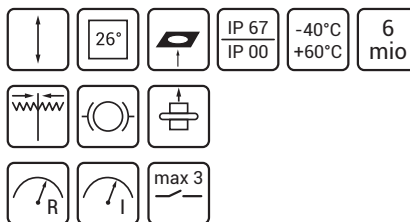


ST4

The weather-proof 1-axis joystick.



A specially-designed joystick for wind and rain, snow and ice. The innovative drive block, made of special plastic, guarantees even with defective rubber boot tightness and functionality when water enters.

Specially designed for construction and agricultural machinery without cabin, this version ensures maximum performance. For any application that is exposed to wind, weather and sunlight.

Installation dimensions

Diameter with boot	ø 70 mm
Panel cut-out	ø 40 mm to 51 mm
Mounting depth	60 mm from mounting plate (Version with potentiometer without microswitches)

Mechanical characteristics

Lever deflection	± 26°
Impact force	max. 400 N at 90 mm distance from pivot point
Impact force in Z-direction	± 400 N (compressive and tensile loading)
Life cycle	> 6 million operating cycles under the influence of climate (-40°C bis +85°C)
Brake power	8N ± 1
Retraction force	4N ± 1

Potentiometer

Project planning notes:

Please note infos on sheet TI-Poti-6 (technical information)

Potentiometer BD1010:

conductive plastic, redundant, without centre taps
resistance: per lane 10 KOhm
connection: cable approx. 100 mm long with 6-pin Mat N Lok

Assignment deflection joystick - connection potentiometer / extension cable

backwards left	forward right	Pin Mat N Lok	Color extension cable
1	3	1	red
	2	2	yellow
4	6	3	blue
	5	4	white
		5	violett
		6	grey

Potentiometer BLR55:

conductive plastic, 5K-0-5K, with direction signals

Potentiometer B55:

conductive plastic, 5K-0-5K

Reedcontact

on mechanical interlock

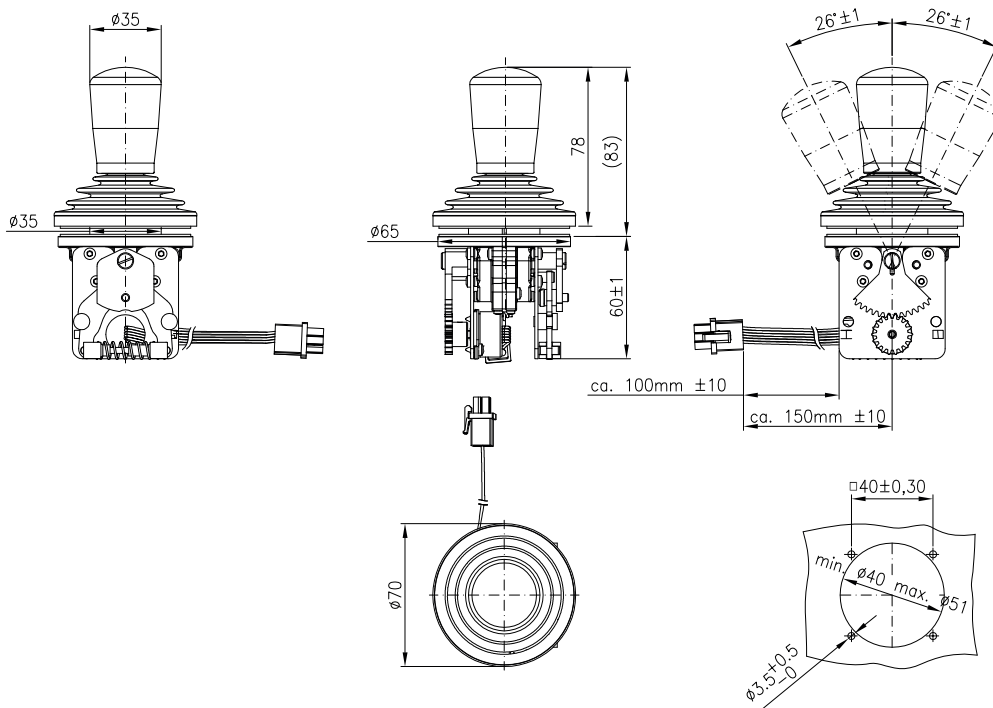
ZO  1 NC

Connection: cable approx. 100 mm long with 2-pole Mat N Lok

General characteristics

Working temperature	-40°C to +85°C
Storage temperature	-50°C to +90°C
Degree of protection from outside (with standard handle and boot)	IP67

Version: Handle G45,
spring return



Version: with mechanical in-
terlock, handle G45-Z, friction
brake, reed contact

